



6x12m Marquee

Instruction Manual



DIMENSIONS

Width - 6m

Depth - 12m

Height - 3.60m

IMPORTANT - Read all instructions before assembling

On receiving your structure, please carefully check you have all component parts. Please do not wait until the day you intend to use the structure to then find you have missing or damaged parts.



@THEWIMBAWAY



THEWIMBAWAY



INFO@THEWIMBAWAY.CO.UK



WWW.THEWIMBAWAY.CO.UK

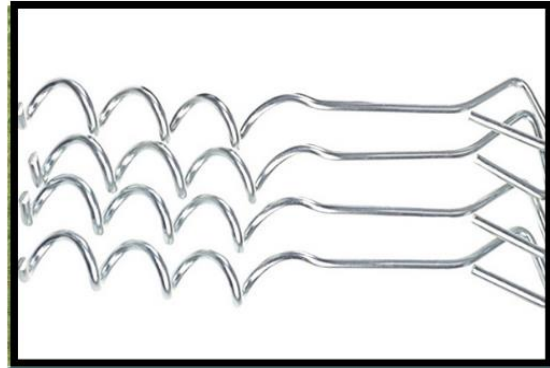


02086112603

We also sell:



Ratchet Straps



Corkscrew Pegs



Weight Bags



Flooring



Ground Bars



Geodesic Igloo Domes



Carry Cases



@THEWIMBAWAY



THEWIMBAWAY



INFO@THEWIMBAWAY.CO.UK



WWW.THEWIMBAWAY.CO.UK



02086112603



IMPORTANT SAFETY INSTRUCTIONS

Read all instructions before assembling

- On receiving your structure, please carefully check you have all component parts. Please do not wait until the day you intend to use the structure to then find you have missing or damaged parts. This will allow us time to provide you with any replacement components prior to you using the structure.
- Read these instructions carefully and familiarise yourself with the procedure before assembling the structure.
- The galvanised steel used has been treated with an oily layer to give greater protection from corrosion. This will create marks on the fabric where the metal is in contact with the fabric. You can however wipe off this oily layer however, we do not recommend as it will increase the risk of corrosion.
- Ensure you have enough space to lay out all the parts before assembly.
- Take all the fittings out of the packaging and separate them into groups.
- Check you have all component parts and familiarise yourself with each part before proceeding.
- Assemble with at least 4 people.
- Please keep children away when assembling and please keep children under direct supervision of an adult when using.
- Always use the guy ropes and pegs provided to secure the gazebo when using. It is also recommended to use gazebo weights and ratchet straps for additional support (can be provided).
- Do not repack until completely dry.

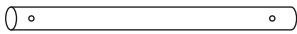
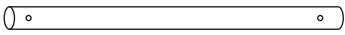




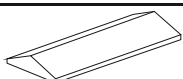
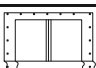

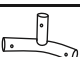
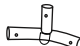




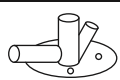
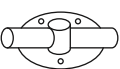

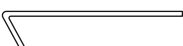

FIRE PRECAUTIONS

- If you have purchased a fire-resistant PVC model, please refer to our website for details of the fire-resistant specification
- Do not place near lights, fireplaces, gas or electric heaters, candles, radiators, or any other sources of heat, fire or flammable liquids.
- We recommend caution and common sense when in use.
- Do not use naked flames in or around the structure. We recommend you do not smoke while inside the structure.
- Please keep all exits clear and unobstructed.
- This structure features a fabric cover that is not flame retardant.
- This structure can burn.

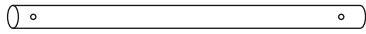
WARRANTY

- Marquees are intended for events and other arrangements and are as such only meant for short term temporary assembly and disassembly. Wimba warranty applies only to the normal use of the product, normal wear and tear excepted, in accordance with written use instructions or manual. The warranty does not apply to damage caused by accident, abuse, weather conditions, misuse, modification or incorrect dismantle, erection, packing and storage of the product.
- Please visit www.thewimbaway.co.uk for more information on our warranty and our latest safety advice and manual.

COMPONENTS

REF	NAME	DIAGRAM	SPECIFICATION	QUANTITY
3	Frame pole		1570×38×1.0mm	28 PCS
2	Frame pole		1930×38×1.0mm	32 PCS
5	Frame Pole		1570×22×1.2mm	14 PCS
6	Frame Pole		800×22×1.2mm	7 PCS
G	Screws		Screws	28 PCS
0	Side Panel		Window panel	2 PCS
L	Roof cover		Roof cover	1 PC
M	Side Panel		Zipped panel	1 PC
N	Side Panel		Plain panel	1 PC
A	Connector		3-WAY	4 PCS
A1	Connector		3-WAY	2 PCS
B	Connector		4-WAY	10 PCS
B1	Connector		4-WAY	5 PCS
A2	Connector		Flat 2 Way Joints	14 PCS
C	Ground bar pole (To be used only with a ground bar)		220×42×1.2mm	4 PCS
D	Ground bar corner connector		Ground bar corner connector	4 PCS
E	Ground bar connector		Ground bar connector	10 PCS
	Bungee ball		Bungee ball	200 PCS
	Pegs		4mm	32 PCS
	Guy rope		Guy rope	4 PCS

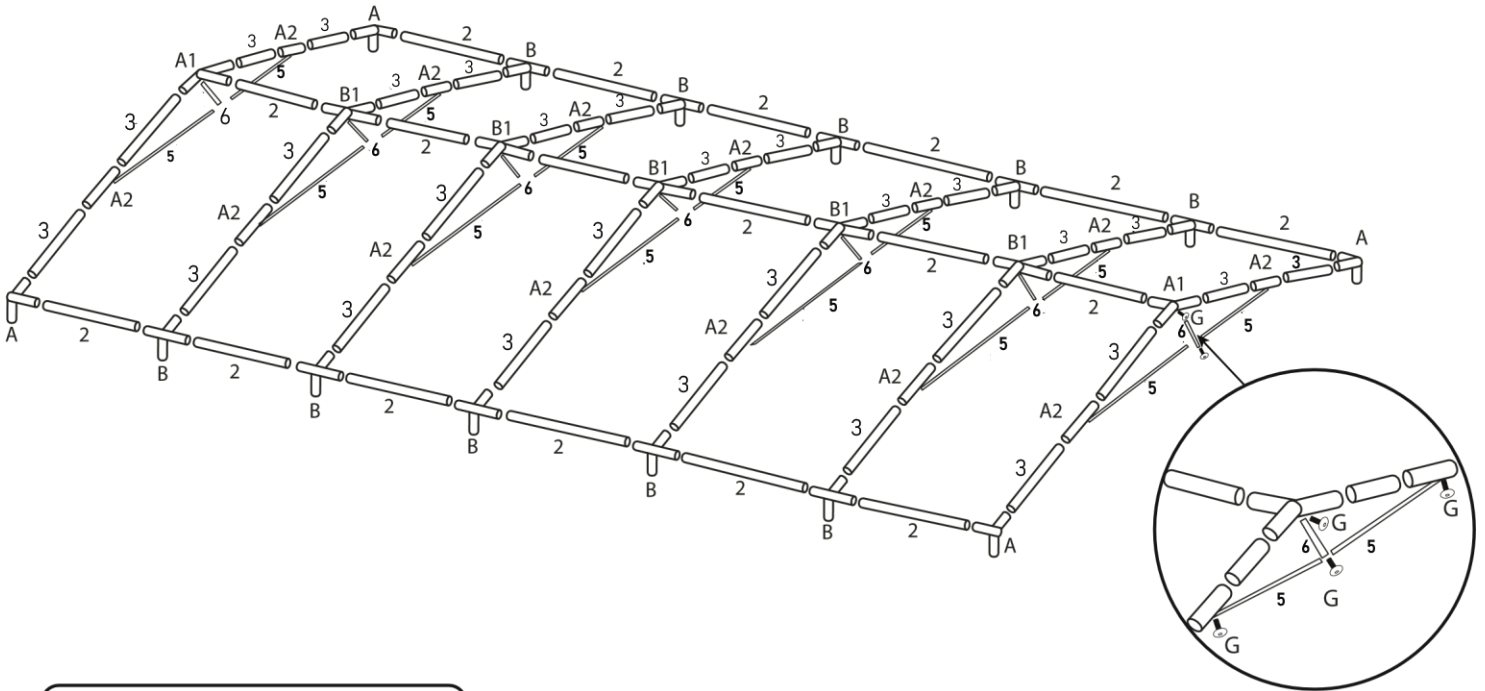
FOR MODELS WITH A GROUND

2	Ground Bar Pole		1930×38×1.0mm	18 PCS
---	-----------------	---	---------------	--------

ASSEMBLY INSTRUCTIONS

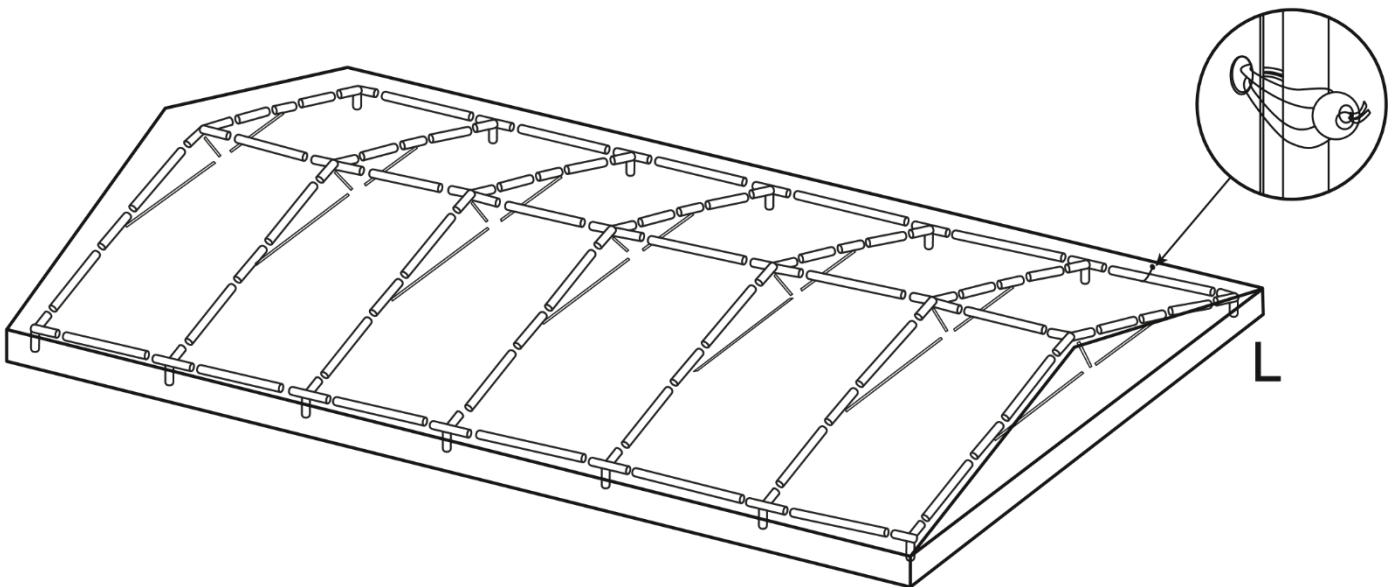
STEP 1

Assemble the roof frame. Then attach the cross bars (parts 5 and 6 using the screws (part G)).



STEP 2

Attach the roof cover with the bungee balls.

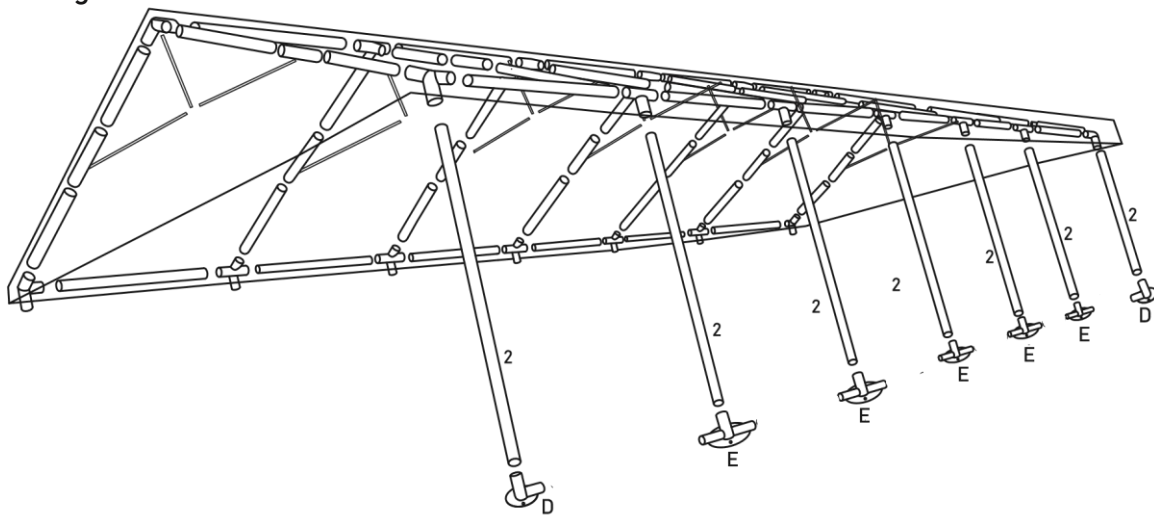


ASSEMBLY INSTRUCTIONS

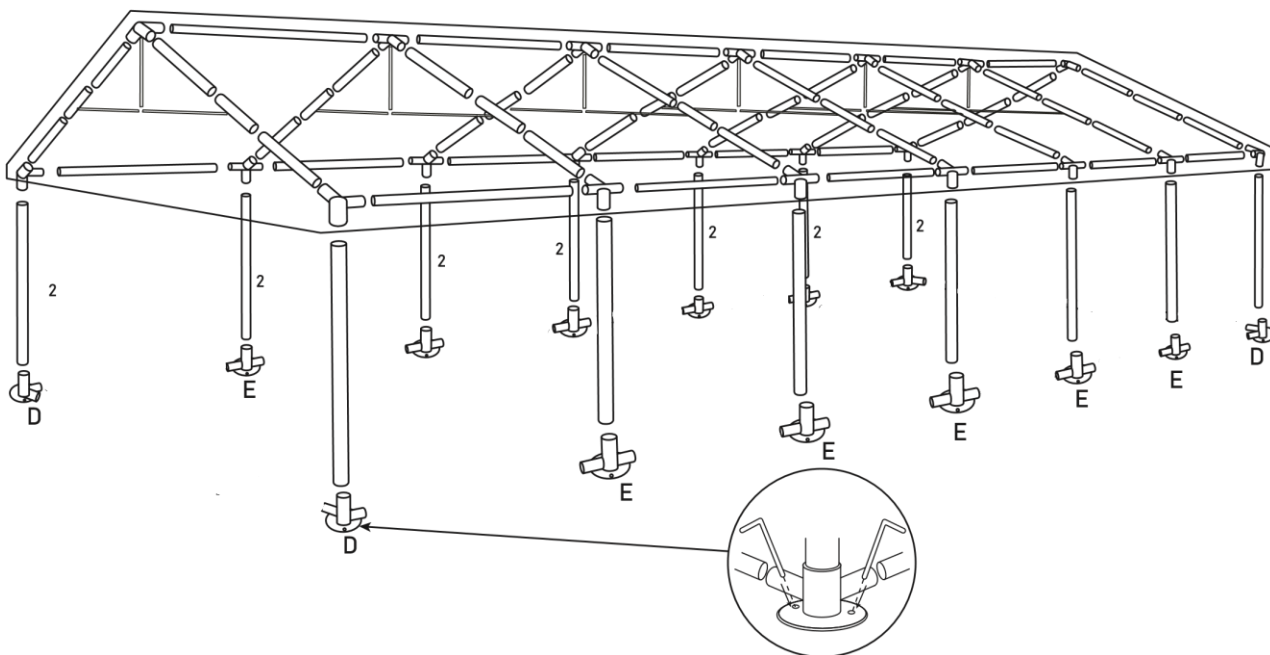
STEP 3

This step is only for models without a ground bar, for models with a ground bar please move to Step 3.1

Attach the legs and feet on one side.



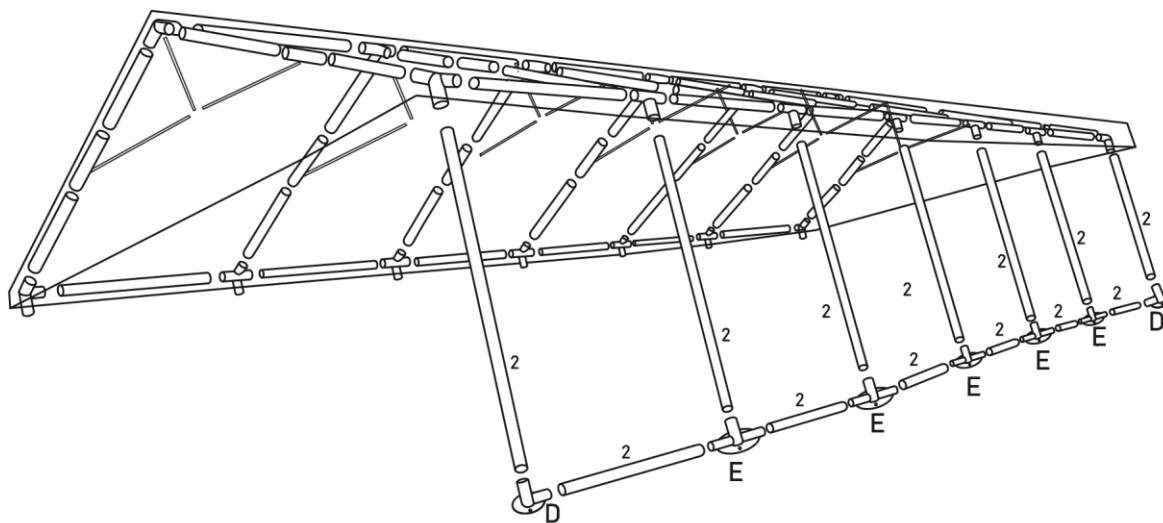
Attach the legs and feet on the other side then peg down the structure.



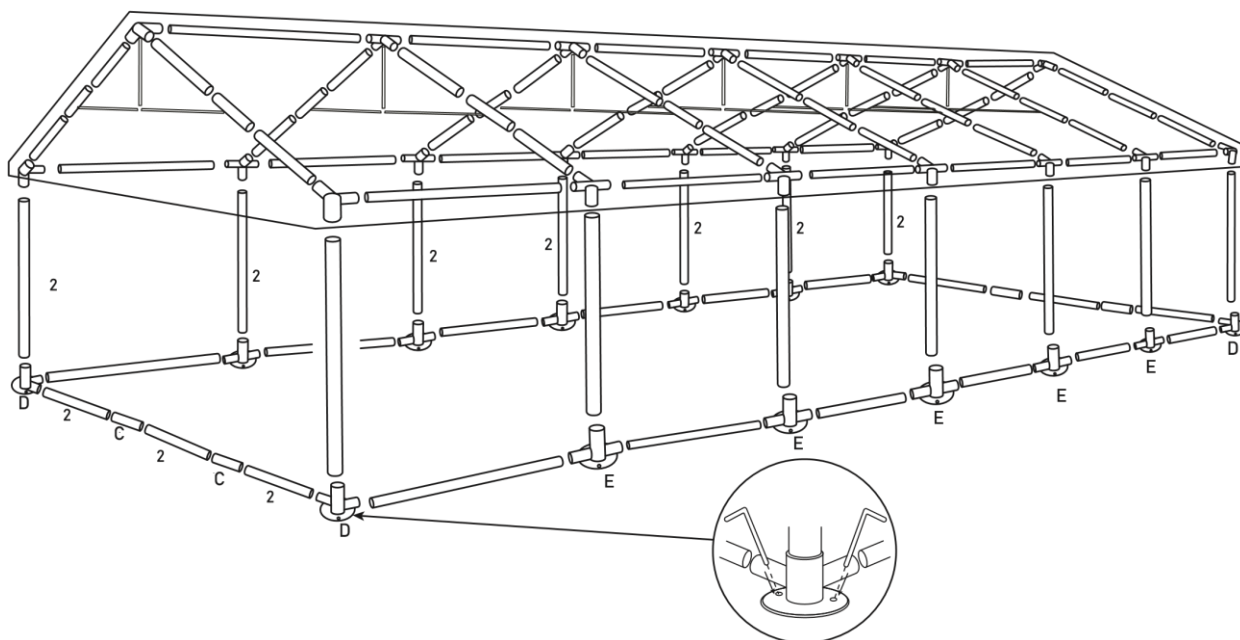
ASSEMBLY INSTRUCTIONS

STEP 3.1 - FOR MODELS WITH A GROUND BAR

Attach the legs, feet and ground bars on one side.



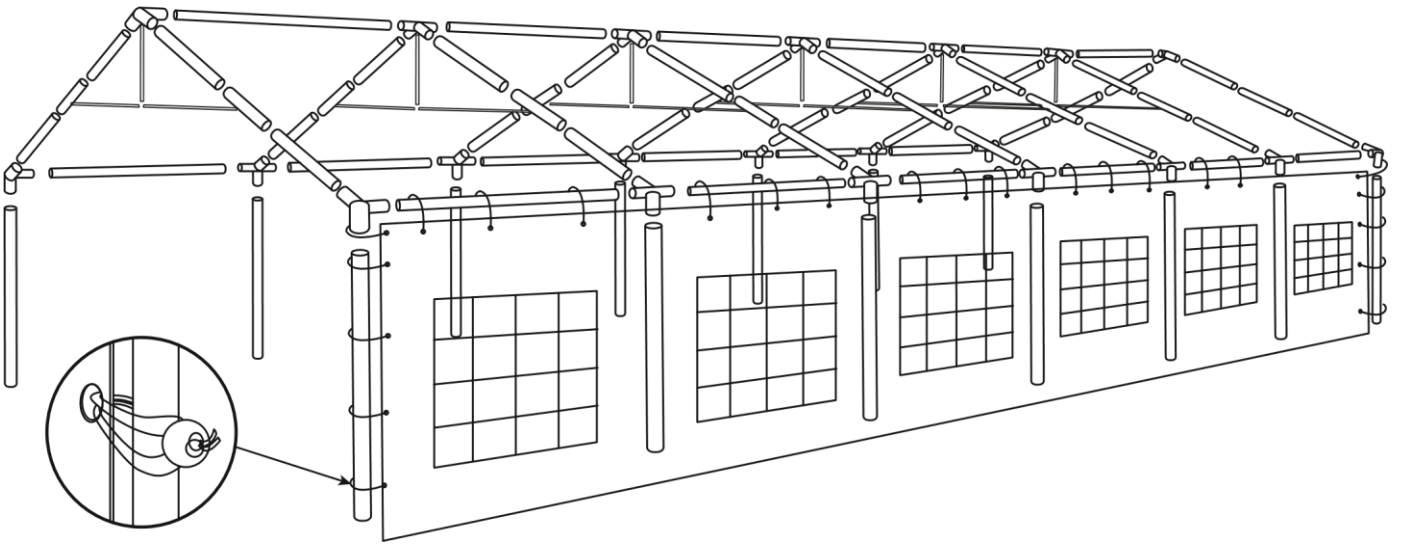
Attach the legs, feet and ground bars on the opposite side, then attach the ground bar on the two remaining sides. Once complete, peg down the structure.



ASSEMBLY INSTRUCTIONS

STEP 4

Attach the side panels (parts M, N and O) using the bungee balls.



NOTE

It is recommended to also use additional anchorage support such as gazebo weights and ratchet straps (can be provided).